

# Heavy Duty Vertical Machining Center



## 重切削型 立式綜合加工中心機



Gear Drive Spindle (optional)  
齒輪式主軸 (選配)

### VMC-1270

X, Y, Z Axis Travel 1200x700x650 mm

### VMC-1370

X, Y, Z Axis Travel 1300x700x700 mm

### VMC-1480

X, Y, Z Axis Travel 1400x750x700 mm

- Gear drive spindle with high/low speed range(optional).
- Oversized box ways on base.
- Box ways on 3 axes.
- Full splash guard.
- 24-tool arm type magazine (standard).
- 32-tool chain type magazine (optional).
- BT 50 spindle taper is also available (optional).
- Screw type chip conveyor.

### VMC-1270

X, Y, Z軸行程1200x700x650 mm

### VMC-1370

X, Y, Z軸行程1300x700x700 mm

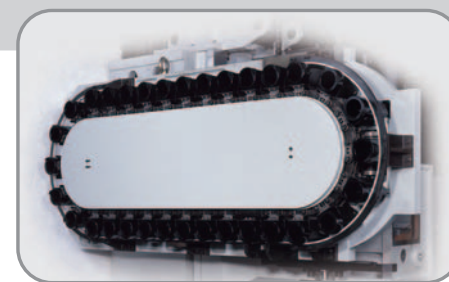
### VMC-1480

X, Y, Z軸行程1400x750x700 mm

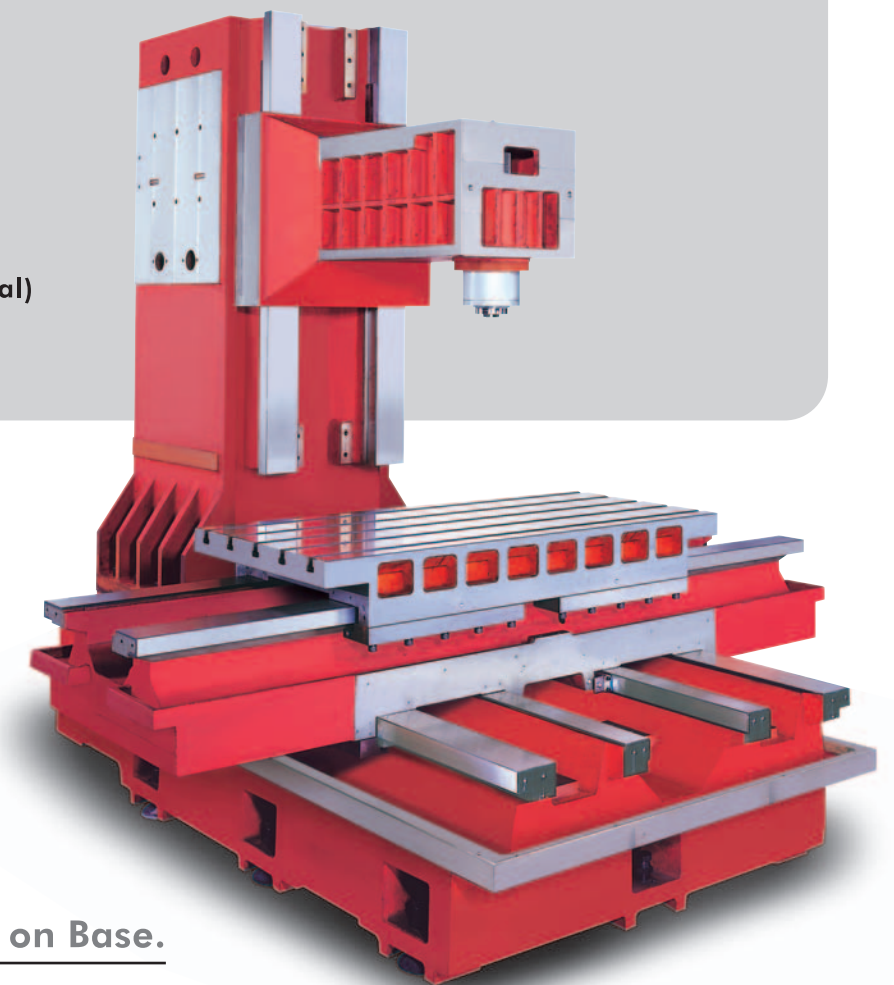
- 齒輪式主軸，提供高低速範圍 (選購)。
- 超大4硬軌底座。
- 三軸全硬軌。
- 全密閉式護罩。
- 24刀圓盤式刀庫 (標準)。
- 32刀鏈條式刀庫 (選購)。
- 主軸錐度BT 50 (選購)。
- 螺旋式排屑輸送機。



Built-in CNC rotary table (optional)  
內建CNC分度盤(選購)



24/32 Tools Chain Type Magazine (optional)  
24/32刀鏈條式刀庫 (選購)



Massive Construction Throughout 4 Box Ways on Base.

穩重的機械結構體4硬軌底座

## VMC-1480

A VMC Designed for  
Extra Heavy Cutting Requirement